

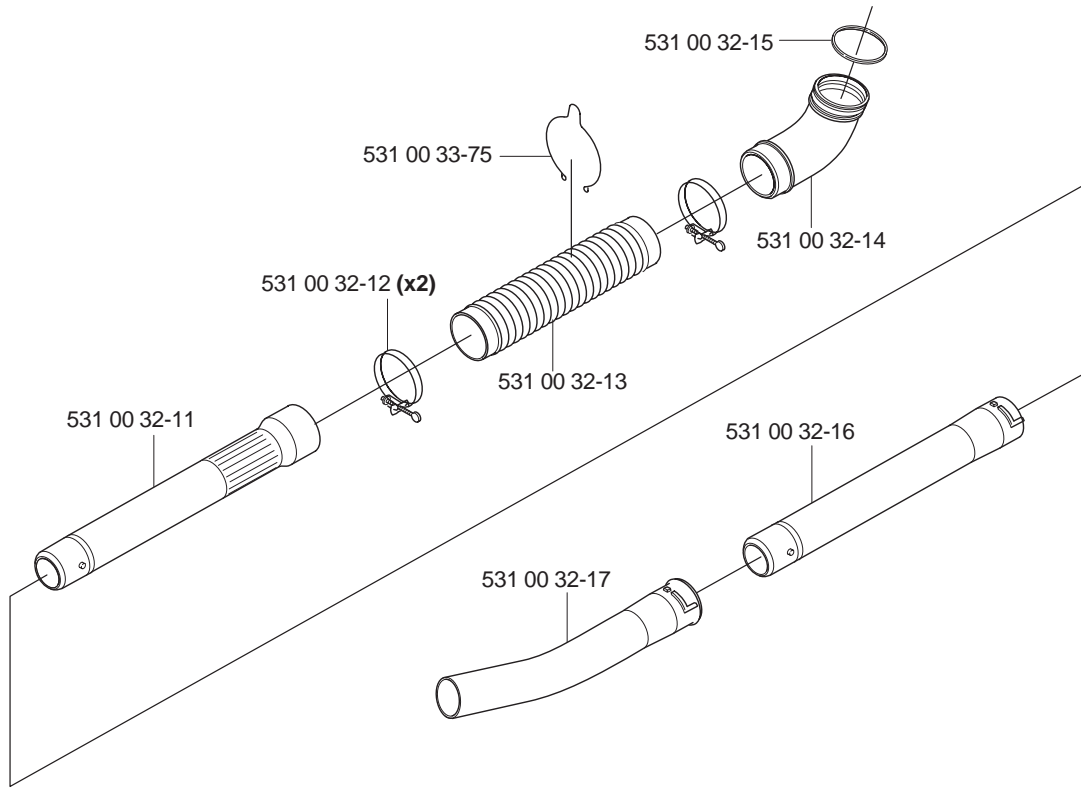
145BT US only

Spare parts
Ersatzteile
Pièces détachées
Reserve onderdelen
Repuestos
Reservdelar

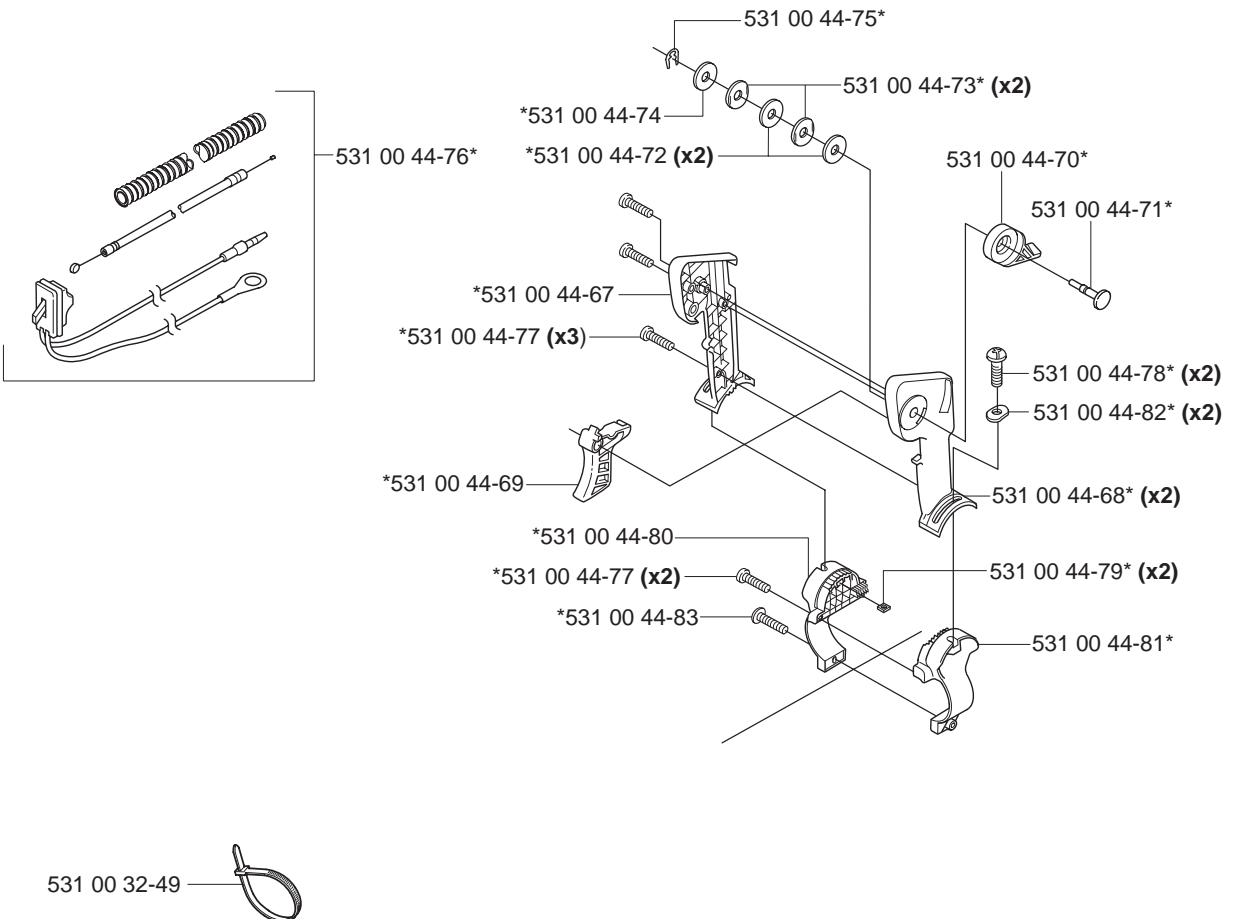
PART NUMBER	SQUARE NOTE	PART NUMBER	SQUARE NOTE	PART NUMBER	SQUARE NOTE	PART NUMBER	SQUARE NOTE
503 22 23-03	C	531 00 33-91	B	531 00 44-87	M		
503 23 50-13	H	531 00 33-92	D	531 00 44-88	M		
514 74 09-00	K	531 00 33-93	D	531 00 44-89	M		
531 00 12-97	L	531 00 33-94	D	531 00 44-93	C		
531 00 32-05	Q	531 00 33-95	E	531 00 44-94	C		
531 00 32-11	A	531 00 33-96	F	531 00 44-95	C		
531 00 32-12	A	531 00 33-98	J	531 00 44-96	C		
531 00 32-13	A	531 00 33-99	K	531 00 44-97	C		
531 00 32-14	A	531 00 36-79	C	544 14 64-01	Q		
531 00 32-15	A	531 00 37-04	J	544 14 65-01	Q		
531 00 32-16	A	531 00 37-05	Q	544 14 66-01	Q		
531 00 32-17	A	531 00 37-18	P	544 14 67-01	Q		
		531 00 37-19	C	544 14 74-01	Q		
531 00 32-25	C	531 00 37-27	C	544 14 76-01	M		
531 00 32-47	C	531 00 44-27	K	544 14 99-01	L		
531 00 32-48	CG	531 00 44-28	M	725 52 93-01	L		
531 00 32-49	B	531 00 44-29	M	732 25 16-01	C		
531 00 32-51	G	531 00 44-30	M	732 26 18-01	Q		
531 00 32-53	G	531 00 44-31	M	738 22 02-25	G		
531 00 32-54	G	531 00 44-32	K				
531 00 32-56	G	531 00 44-33	K				
531 00 32-57	G	531 00 44-34	K				
531 00 32-58	G	531 00 44-35	K				
531 00 32-59	G	531 00 44-36	P				
531 00 32-60	G	531 00 44-37	P				
531 00 32-61	F	531 00 44-38	P				
531 00 32-62	F	531 00 44-40	M				
531 00 32-63	F	531 00 44-42	P				
531 00 32-65	F	531 00 44-43	P				
531 00 32-66	F	531 00 44-44	P				
531 00 32-67	F	531 00 44-45	P				
531 00 32-68	F	531 00 44-46	P				
531 00 32-69	F	531 00 44-48	P				
531 00 32-70	F	531 00 44-49	P				
531 00 32-71	E	531 00 44-50	P				
531 00 32-72	E	531 00 44-51	M				
531 00 32-73	E	531 00 44-52	P				
531 00 32-78	H	531 00 44-53	P				
531 00 32-79	H	531 00 44-54	P				
531 00 32-82	H	531 00 44-55	P				
531 00 32-83	H	531 00 44-56	P				
531 00 32-84	F	531 00 44-57	P				
531 00 32-85	H	531 00 44-58	P				
531 00 32-86	H	531 00 44-59	P				
531 00 32-87	H	531 00 44-60	P				
531 00 32-89	H	531 00 44-61	P				
531 00 33-35	N	531 00 44-62	P				
531 00 33-40	N	531 00 44-63	P				
531 00 33-41	N	531 00 44-64	P				
531 00 33-43	N	531 00 44-65	M				
531 00 33-47	K	531 00 44-66	M				
531 00 33-57	L	531 00 44-67	B				
531 00 33-58	L	531 00 44-68	B				
531 00 33-59	L	531 00 44-69	B				
531 00 33-60	L	531 00 44-70	B				
531 00 33-61	L	531 00 44-71	B				
531 00 33-62	L	531 00 44-72	B				
531 00 33-63	L	531 00 44-73	B				
531 00 33-64	L	531 00 44-74	B				
531 00 33-65	L	531 00 44-75	B				
531 00 33-66	L	531 00 44-76	B				
531 00 33-67	L	531 00 44-77	B				
531 00 33-68	L	531 00 44-78	B				
531 00 33-70	L	531 00 44-79	B				
531 00 33-71	L	531 00 44-80	B				
531 00 33-75	A	531 00 44-81	B				
531 00 33-79	Q	531 00 44-82	B				
531 00 33-82	H	531 00 44-83	B				
531 00 33-83	H	531 00 44-84	R				
531 00 33-84	H	531 00 44-86	M				

Set of gaskets, Dichtungssatz,
Jeu de joints, Juego de juntas,
Packningssats

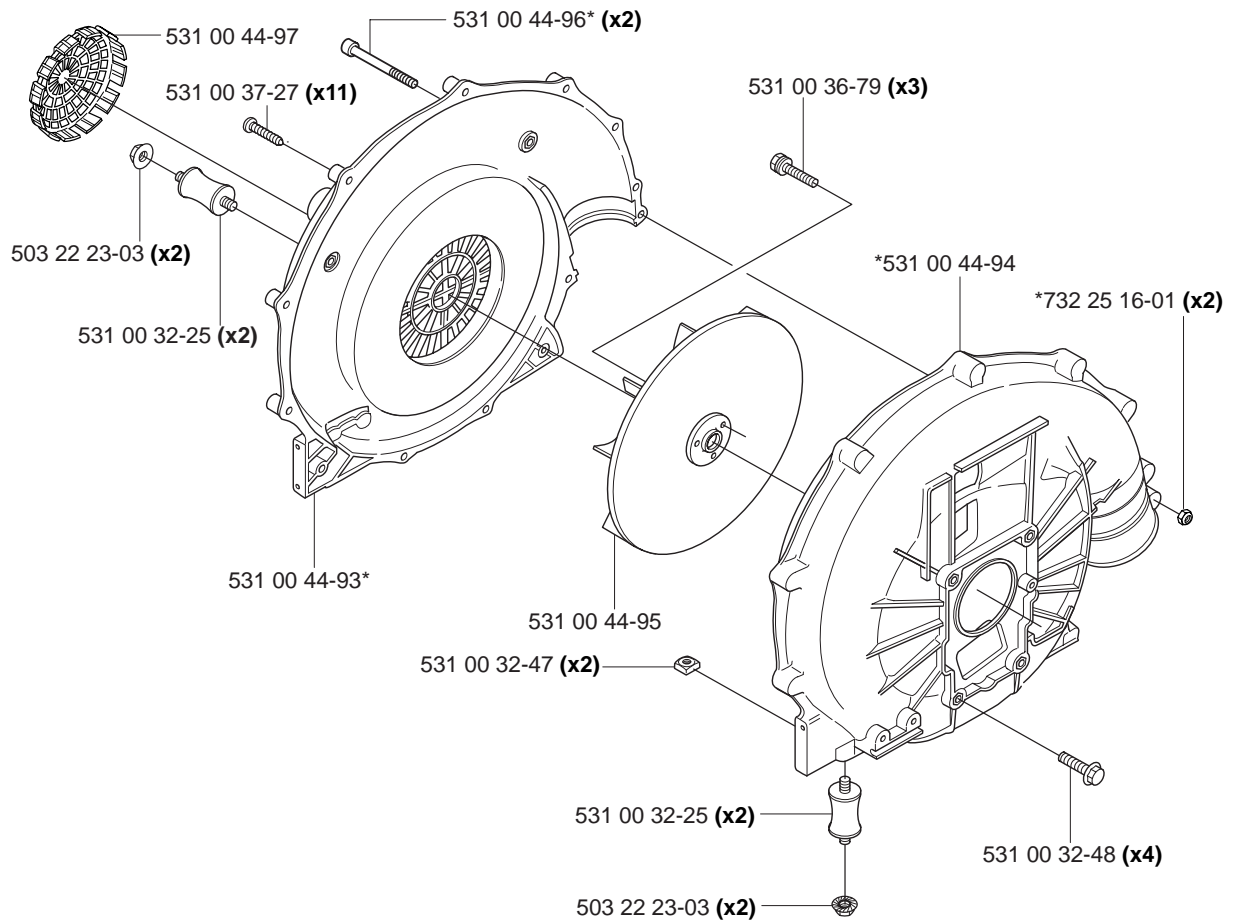
N = New part, Neues teil,
Nouvelle piece, Nueva pieza
Ny detalj

A**B**

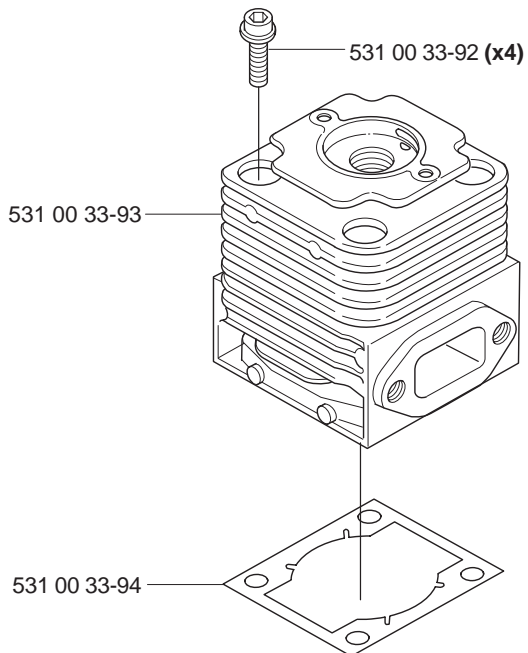
*compl 531 00 33-91



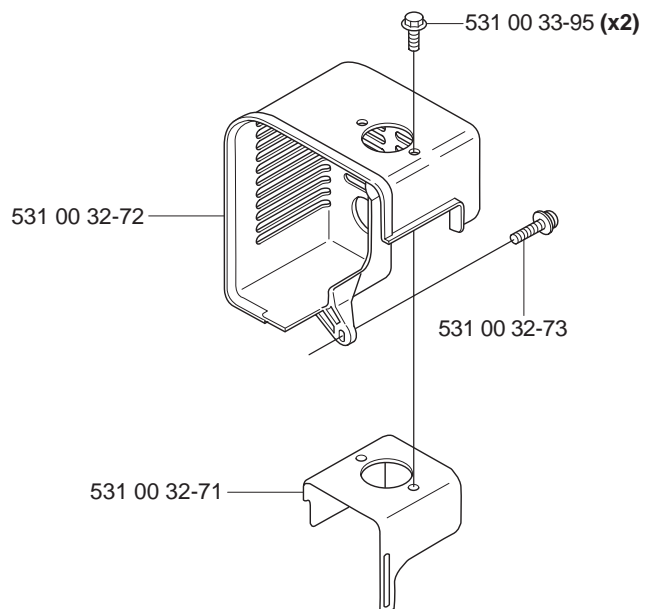
C *compl 531 00 37-19



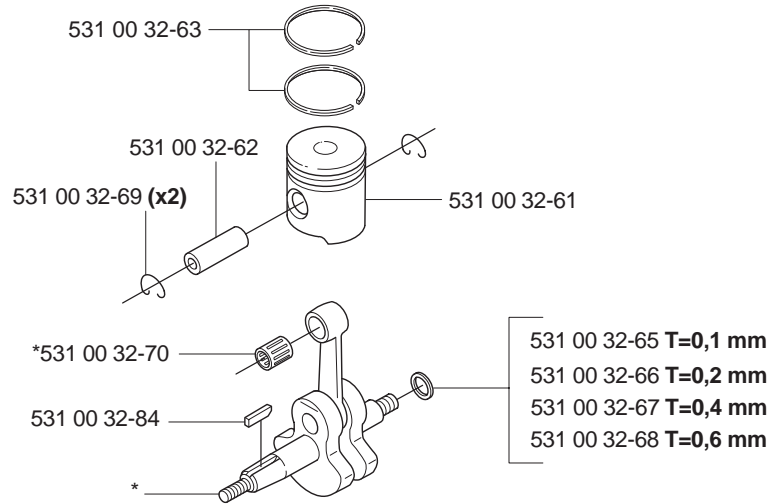
D



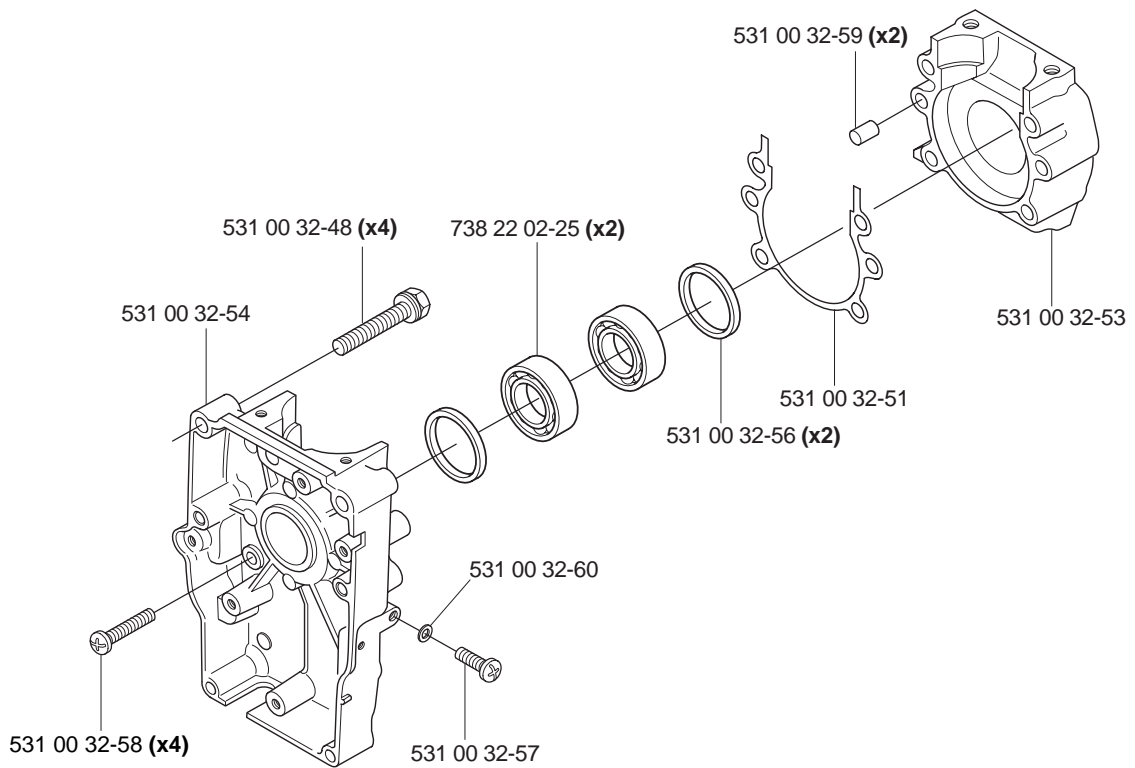
E



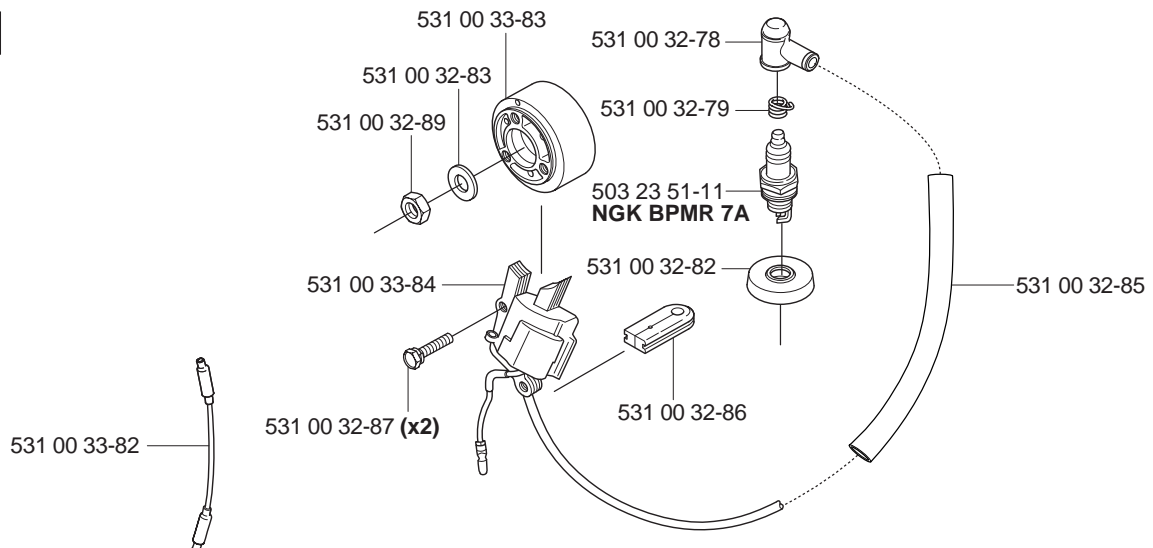
F *compl 531 00 33-96



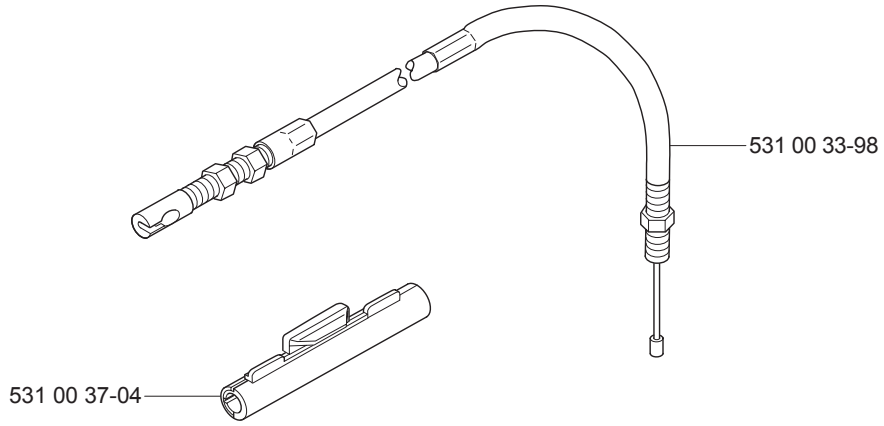
G



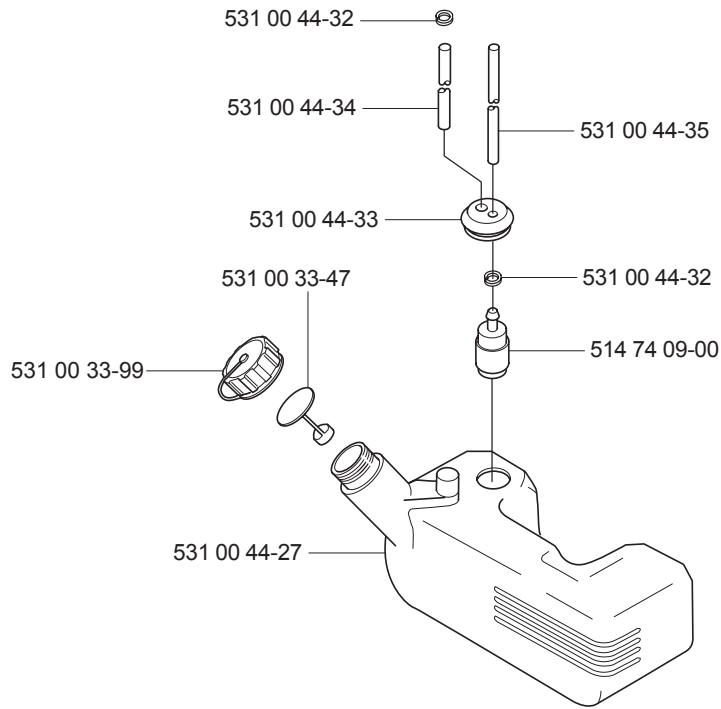
H



J

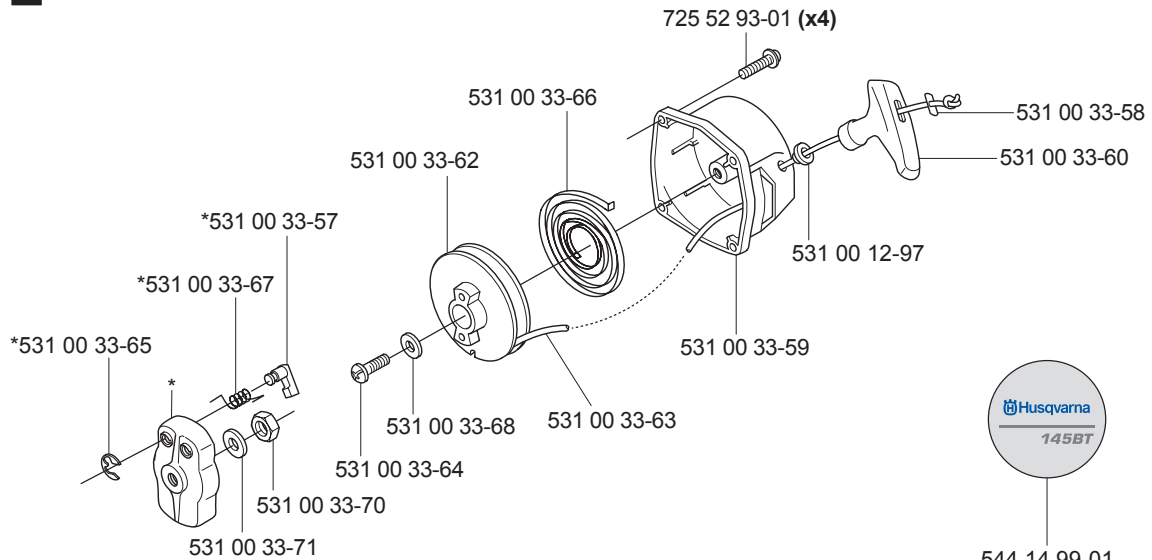


K



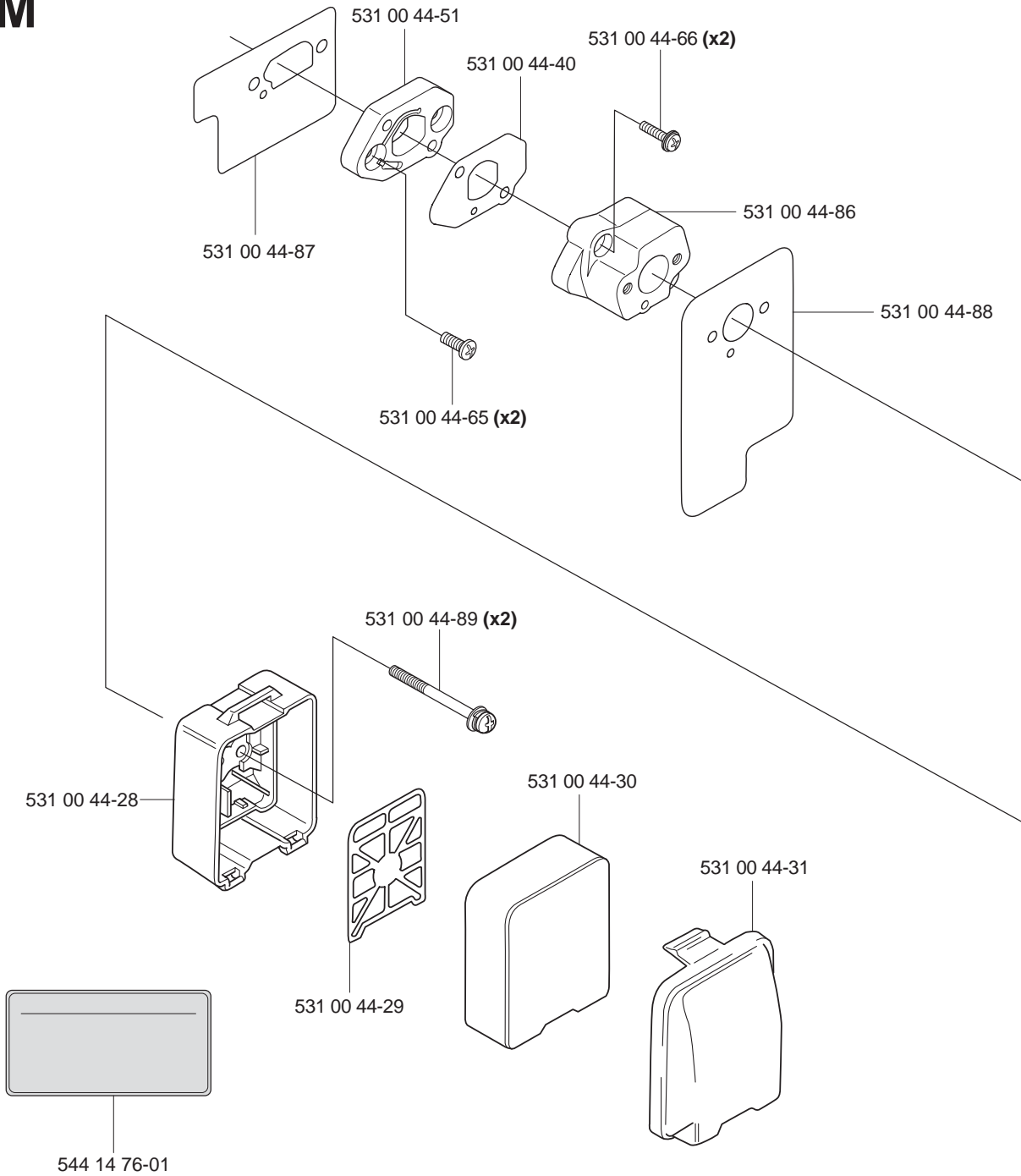
L

*compl 531 00 33-61

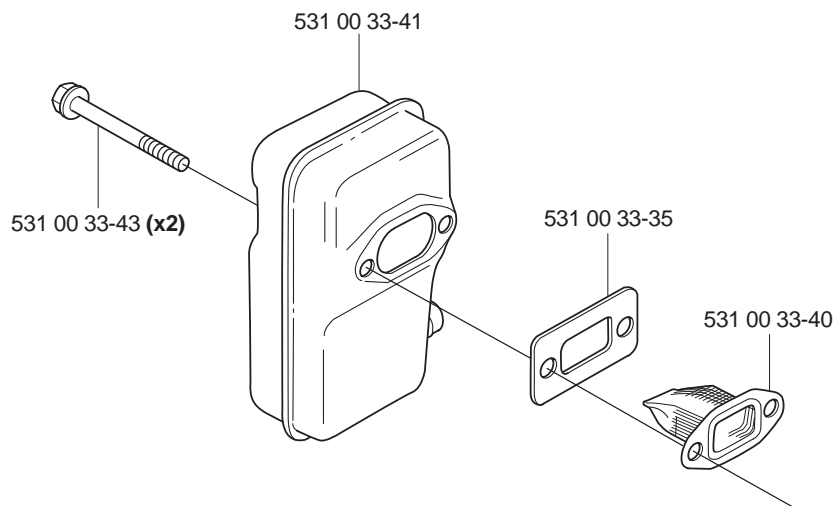


544 14 99-01

M



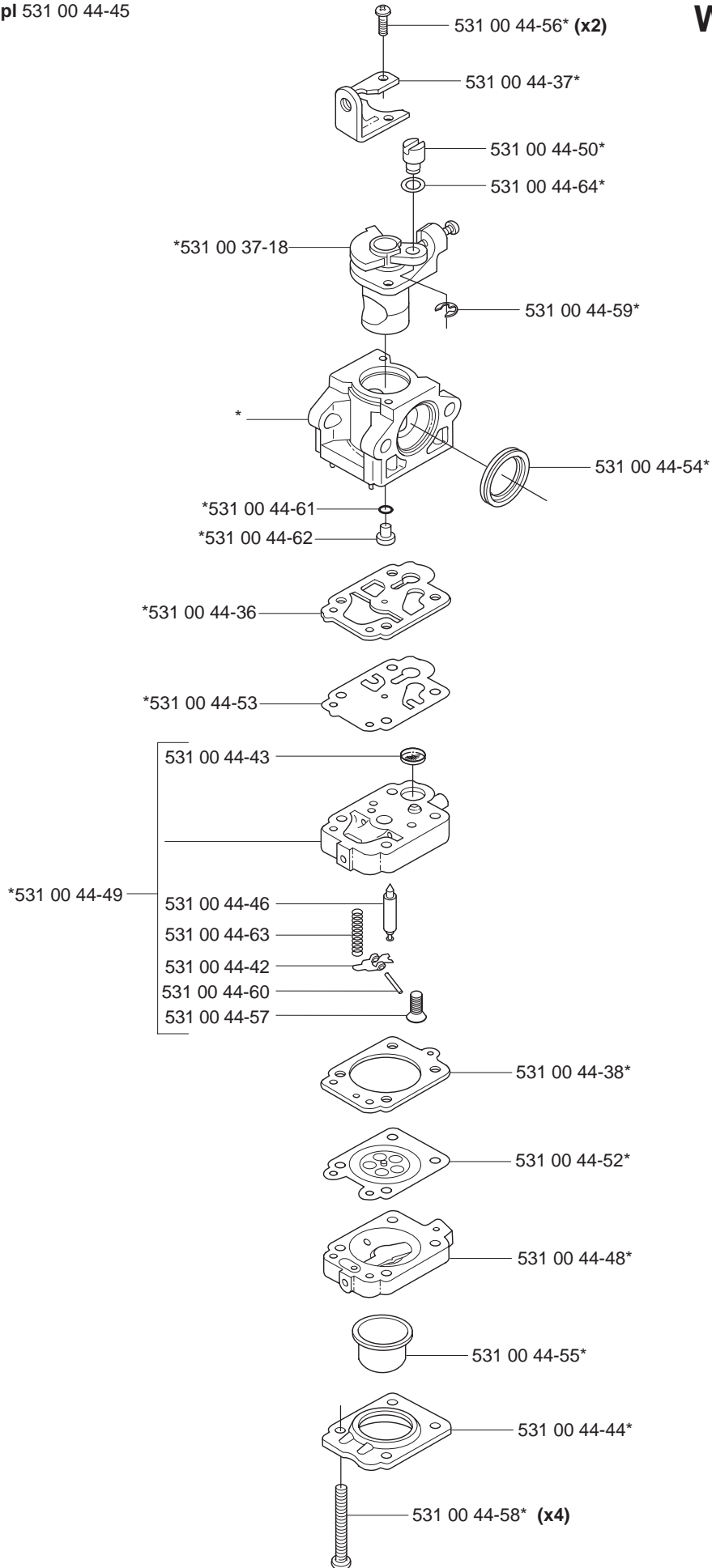
N



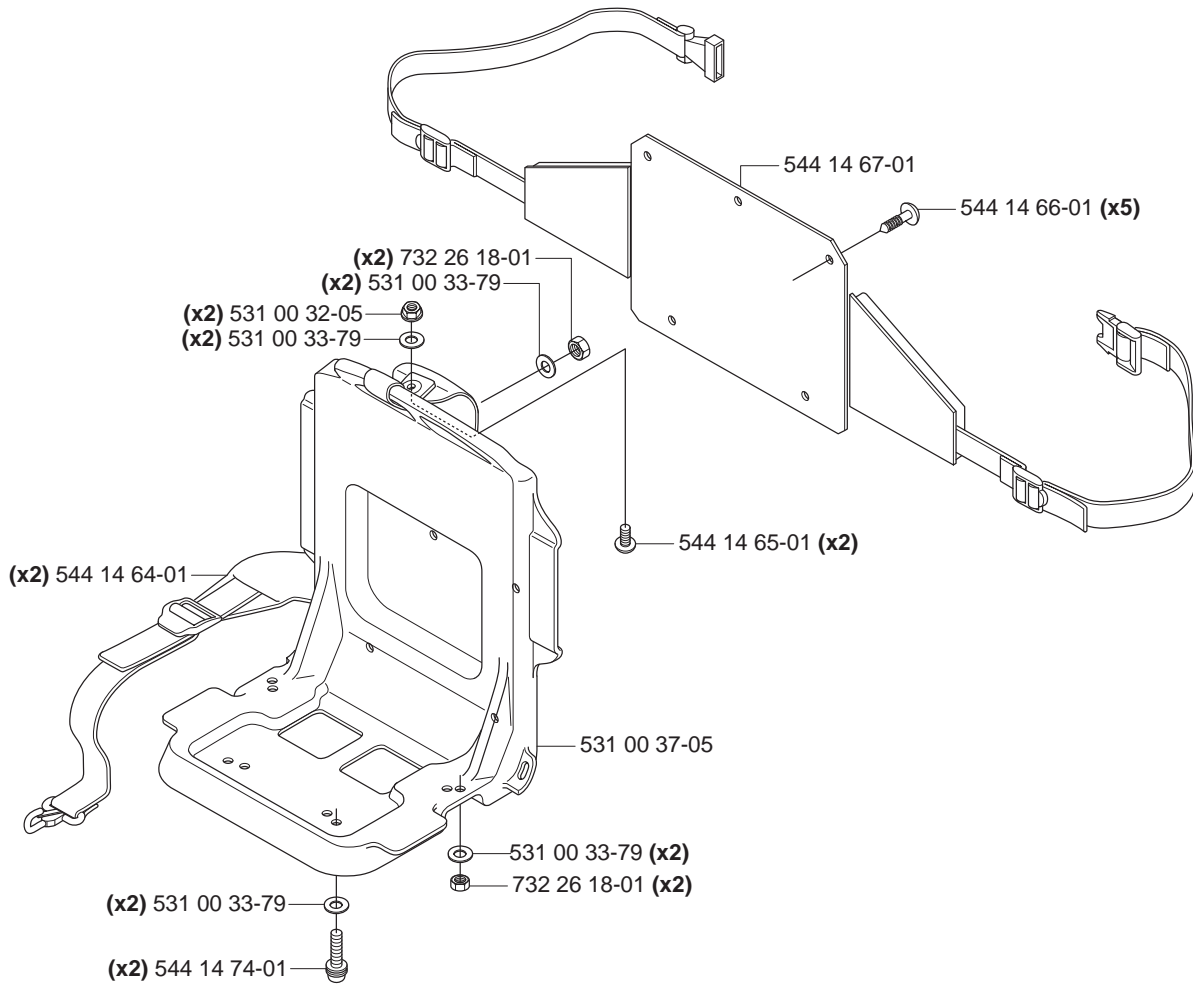
P

*compl 531 00 44-45

Walbro WYK



Q



R Accessories
Zubehöre
Accessoires
Acessorios
Tillbehör

